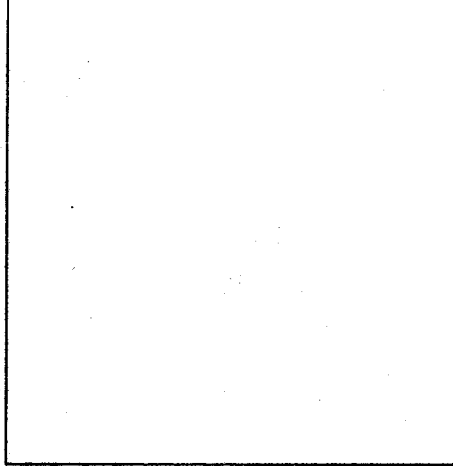
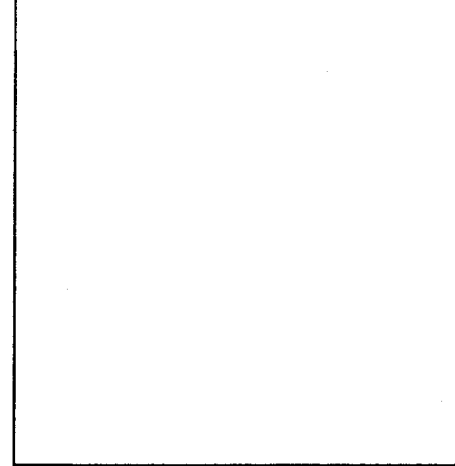


C1 SCHEMATICS  
SERIAL NUMBER  
120051 ONWARDS

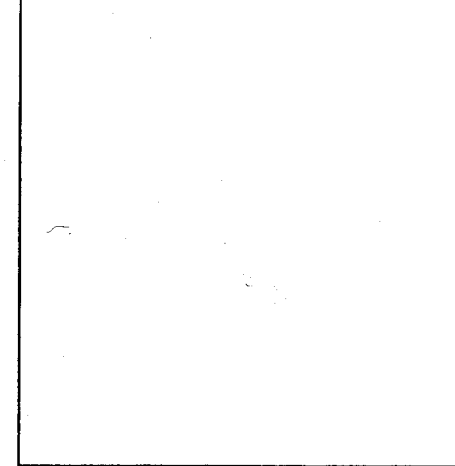
MIC INPUT SHEET 2



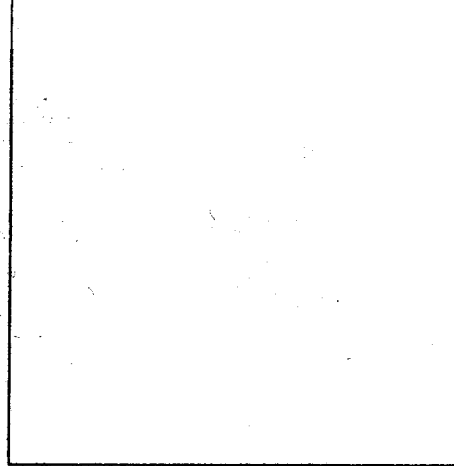
VALVE STAGES SHEET 4



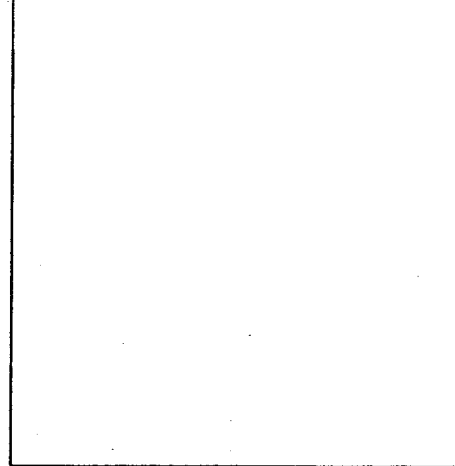
AUX INPUT, OUTPUT + METERS SHEET 6



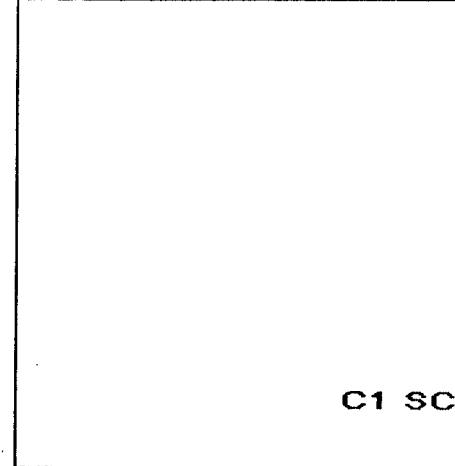
COMPRESSOR A SHEET 3



COMPRESSOR B SHEET 5



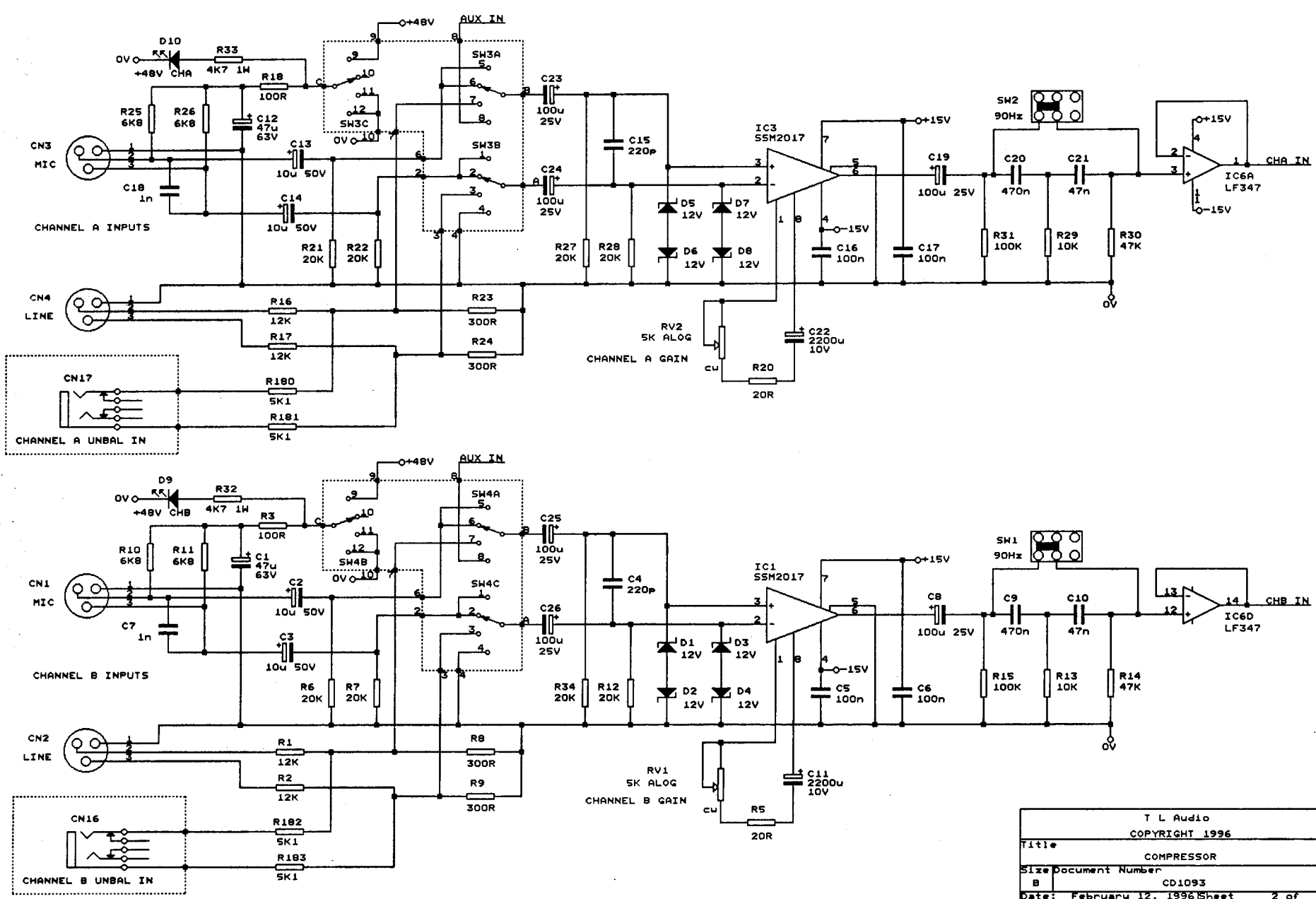
PSU SHEET 7



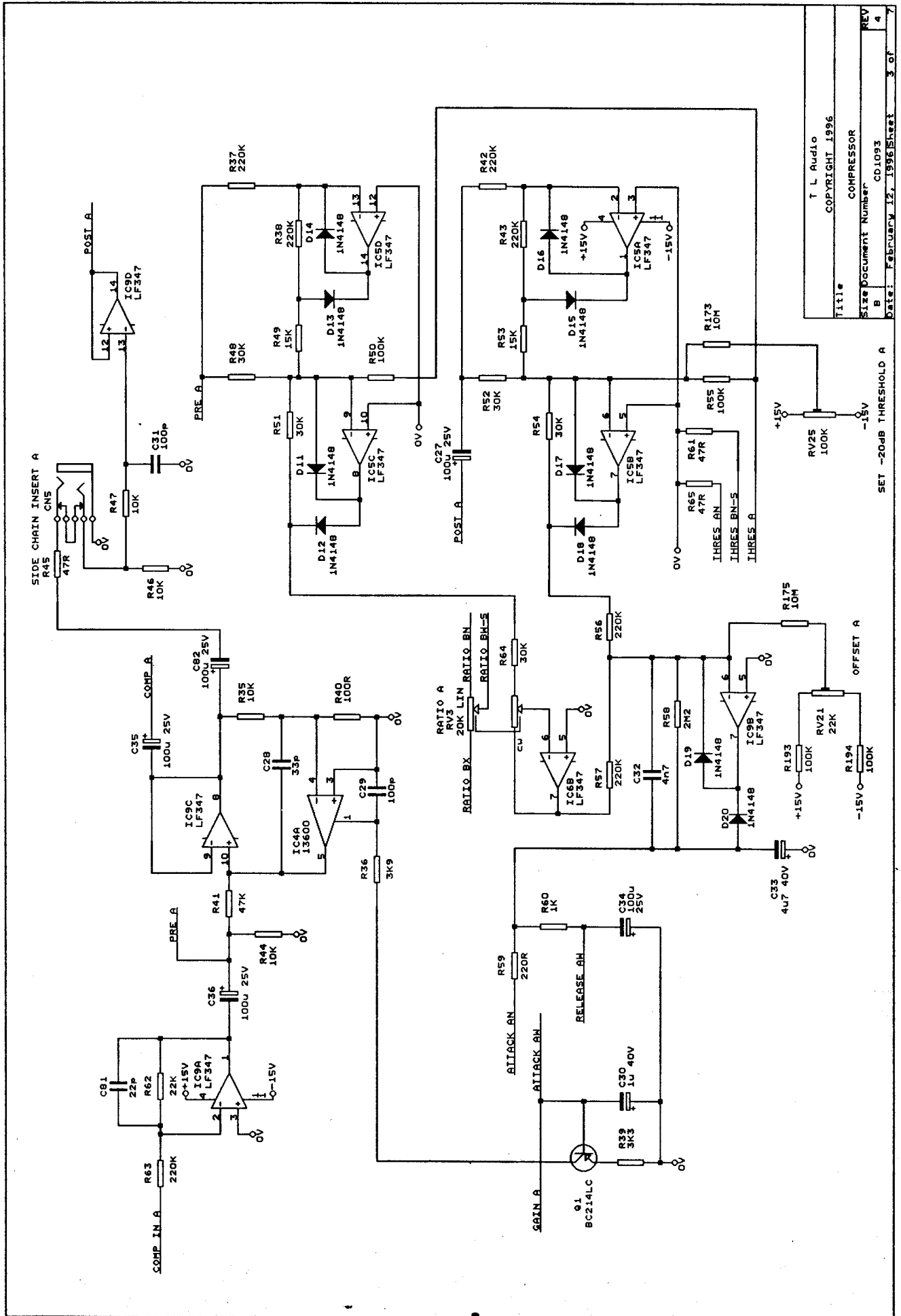
**C1 SCHEMATICS**

Applies to serial numbers  
120051 onwards.

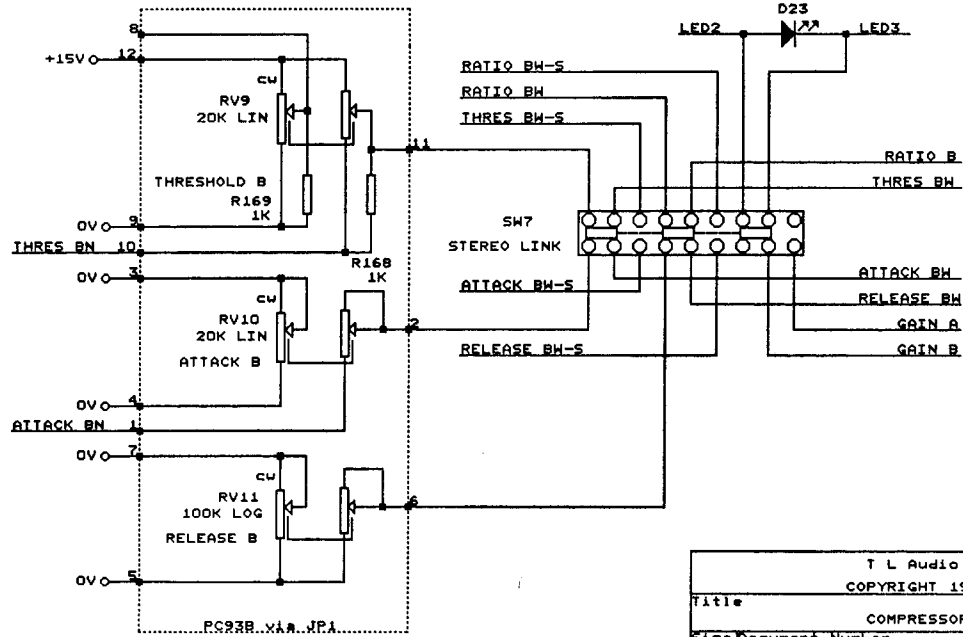
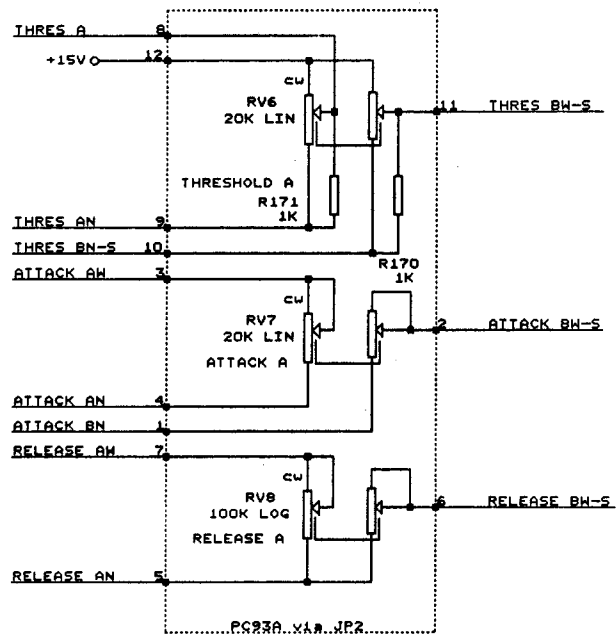
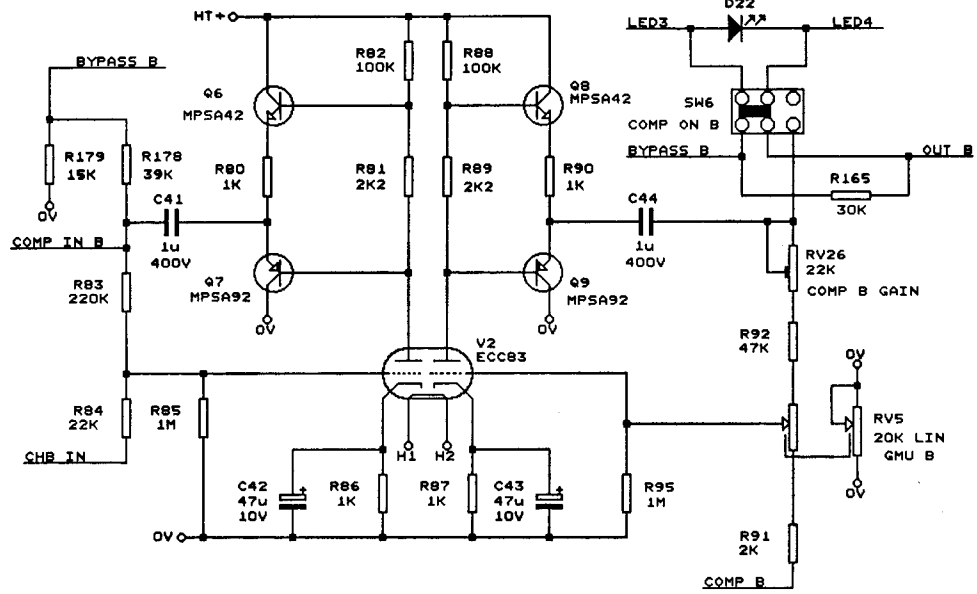
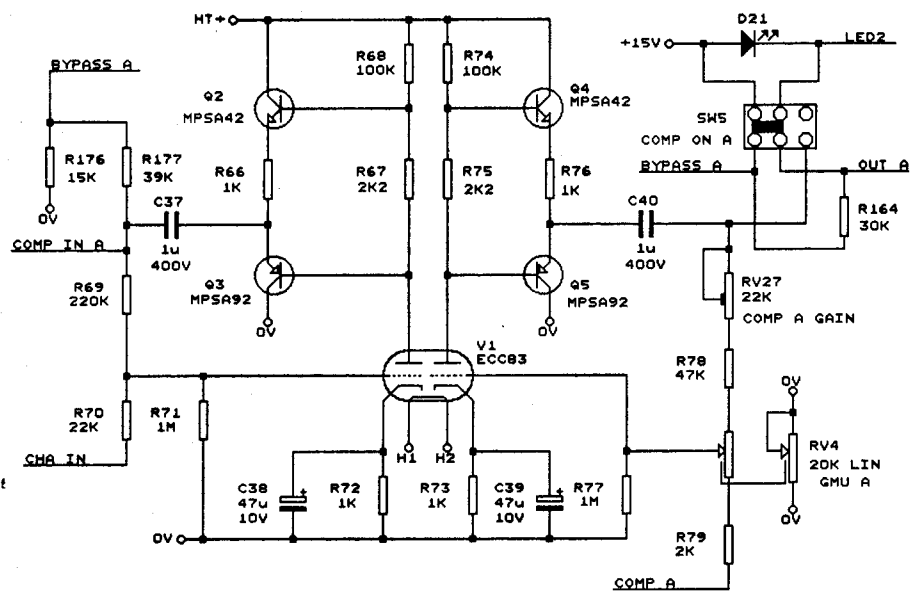
|                         |                 |                  |        |
|-------------------------|-----------------|------------------|--------|
| T L Audio               |                 | COPYRIGHT 1996   |        |
| Title                   |                 | VALVE COMPRESSOR |        |
| Size                    | Document Number | REV              |        |
| B                       | CD1093          | 4                |        |
| Date: February 12, 1996 |                 | Sheet            | 1 of 7 |

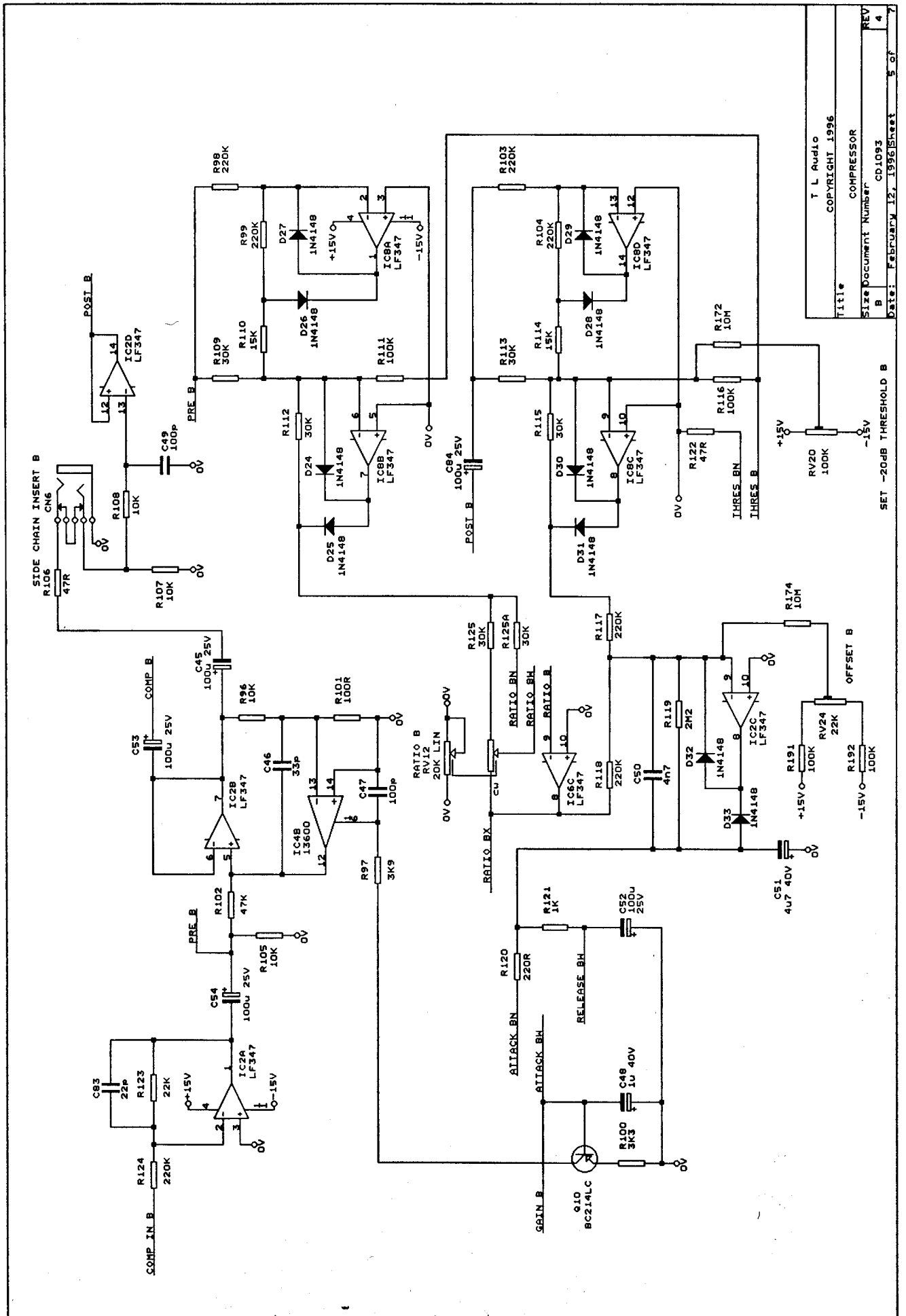


|                                      |                 |     |
|--------------------------------------|-----------------|-----|
| T L Audio                            |                 |     |
| COPYRIGHT 1996                       |                 |     |
| Title                                |                 |     |
| COMPRESSOR                           |                 |     |
| Size                                 | Document Number | REV |
| B                                    | CD1093          | 4   |
| Date: February 12, 1996 Sheet 2 of 7 |                 |     |



Title: T L Audio COMPRESSOR  
 Size: Document Number CD1093  
 Date: February 12, 1995  
 Sheet: 3 of 7

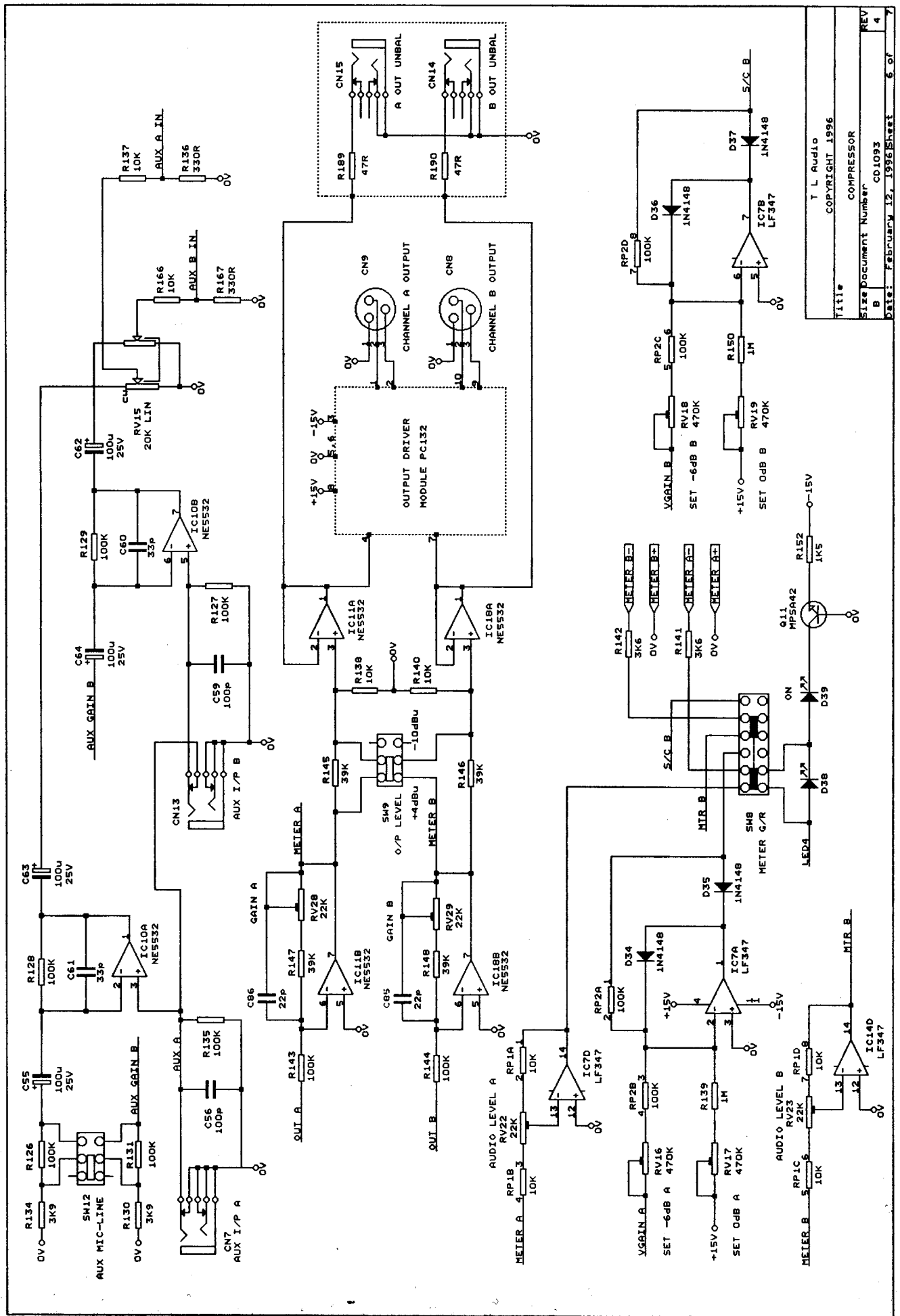




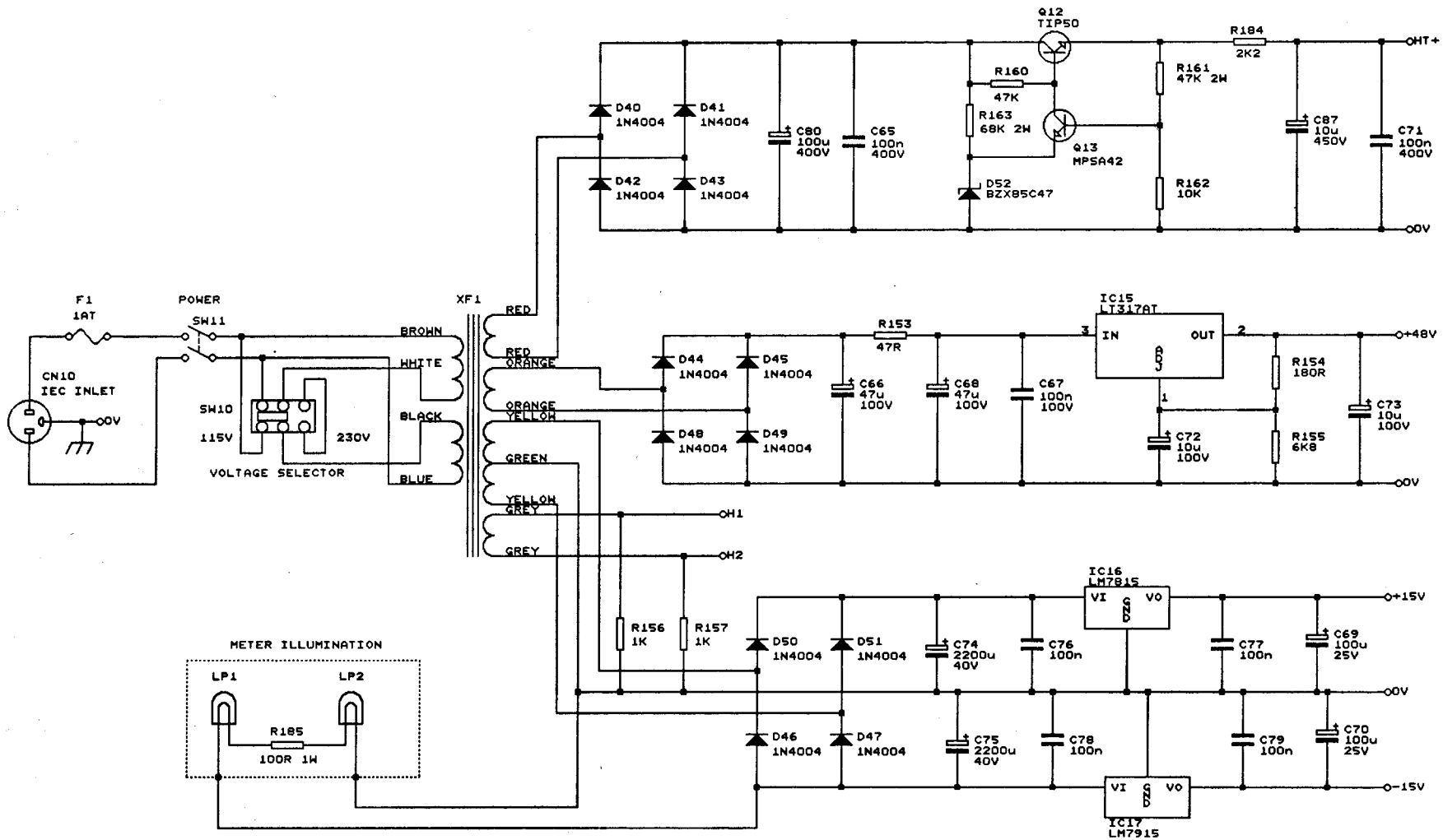
T L Audio  
 COPYRIGHT 1996  
 Title COMPRESSOR  
 Size Document Number CD1093  
 B  
 Date: FEBRUARY 12, 1996 Sheet 5 of 7

REV 4

SET -20dB THRESHOLD B

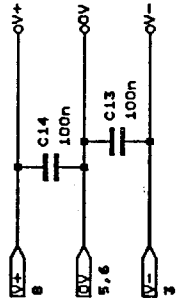
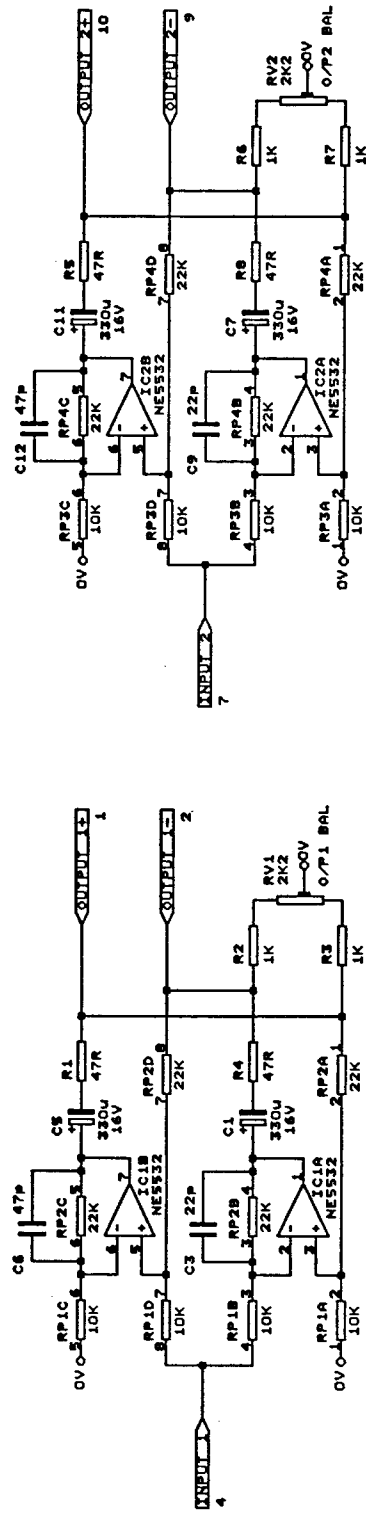


Title  
 T L Audio  
 COPYRIGHT 1996  
 COMPRESSOR  
 Size document Number  
 B CD1093  
 REV 4  
 Date: February 12, 1996 Sheet 6 of 7



|                |                                |
|----------------|--------------------------------|
| T L Audio      |                                |
| COPYRIGHT 1996 |                                |
| Title          |                                |
| COMPRESSOR     |                                |
| Size           | Document Number                |
| B              | CD1093                         |
| Date:          | February 12, 1996 Sheet 7 of 7 |





|                         |                               |
|-------------------------|-------------------------------|
| TL Audio                |                               |
| COPYRIGHT 1995          |                               |
| TITLE DUAL OUTPUT STAGE |                               |
| Size document Number    | CD1132                        |
| REV                     | 1                             |
| Date:                   | December 7, 1995 Sheet 1 of 1 |